

CustomSound™ CS630 Stereo/Surround In-Ceiling Speaker



This superb group of architectural speakers embody over 40 years of cutting edge research in the field of acoustics and loudspeaker design. Musical, refined, and nearly invisible, these speakers can create a beautiful ambience, even in larger spaces. Because their sonic signature is identical to other PSB speakers, these CS600's can integrate perfectly as part of home theatres or as the soundtrack of the connected home. Since PSB has in-room, on-wall, outdoor, in-wall and in-ceiling designs at many different price points, it makes it easy to specify an audio system that you know will turn out right, be easy to specify and install, and will absolutely thrill even your most discriminating clients.

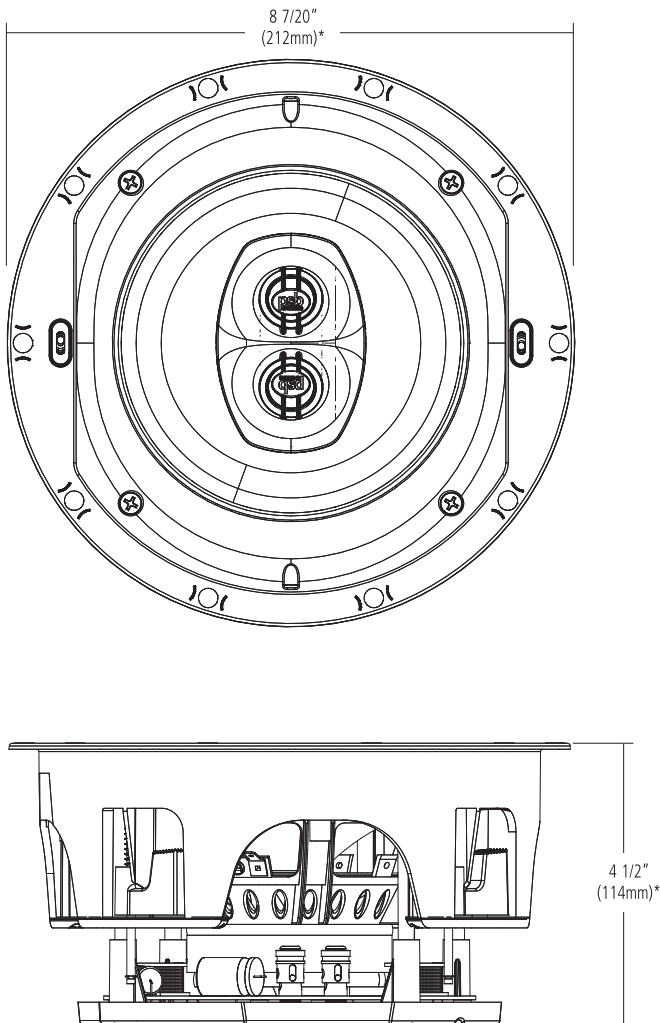
There are three models in this series, and all feature frameless magnetic grilles with invisible scrims. Both round and square grilles are provided, simplifying and reducing your inventory requirements. Each model features a simple, foolproof mounting system using heavy duty Delrin dogs. Cutting templates are included. Pre-construction brackets are also available.

CS630 Stereo/Surround Speaker

This excellent performer features a dual voice coil equipped version of the CS610 woofer and a pair of aluminium dome tweeters. This versatile speaker allows stereo sound in small spaces like bathrooms and hallways, and can also be used as surround effects speakers in home theatres. The tweeter array can be rotated after installation to get the best high frequency coverage, and like the CS650 there is a tweeter and woofer level control for final adjustment. Because there are two discrete channels, these can be wired as bipole, dipole, or even as surround plus surround rears in a 7.1 theatre!

- 6 1/2" 2-way stereo in-ceiling flush mount speaker
- Proprietary Imagine carbon-filled polypropylene cone with injection molded basket
- Dual voice coil woofer for stereo, bi-pole, or di-pole configuration
- Two proprietary 3/4" aluminium dome tweeters
- Tweeter axis adjustment
- Precision crossover network for smooth wide-band response
- Dual position switches for tweeter level and woofer level
- High strength doglegs for sasy installation and removal
- Includes both round and square magnetic frameless grilles

CustomSound CS630 Stereo/Surround In-Ceiling Speaker



Frequency Response (Anechoic Chamber)	
On Axis @ 0°±3dB	50-20,000Hz
Sensitivity (1W (2.83V) @ 1M, IEC-Filtered pink noise, C-weighted)	
Anechoic Chamber	86dB
Listening Room	88dB
Impedance	
Nominal	10 Ohms
Minimum	8 Ohms
Input Power (RMS, Clipping <10% Time)	
Recommended	10-100 Watts
Acoustic Design	
Tweeter (Nominal)	2 x 3/4" (19mm) aluminium dome Black anodized
Woofer (Nominal)	6 1/2" (165mm) Fibrer-filled polypropylene cone Rubber surround Dual voice coil
Design Type	Open back
EQ Adjustment	Tweeter and woofer switch
Size (W x H x D) (Gross Dimensions)	
Mounting Depth	4 1/2" (114mm)*
Mounting Diameter	8 7/20" (212mm)*
Grill Round	9 2/5" (240mm)*
Grill Square	9 2/5 x 9 2/5" (240mm x 240mm)* Both round and square grills supplied
Finish	
	White

* Non-metric measurements are approximate.

REAL SOUND for REAL PEOPLE
www.PSBspeakers.com